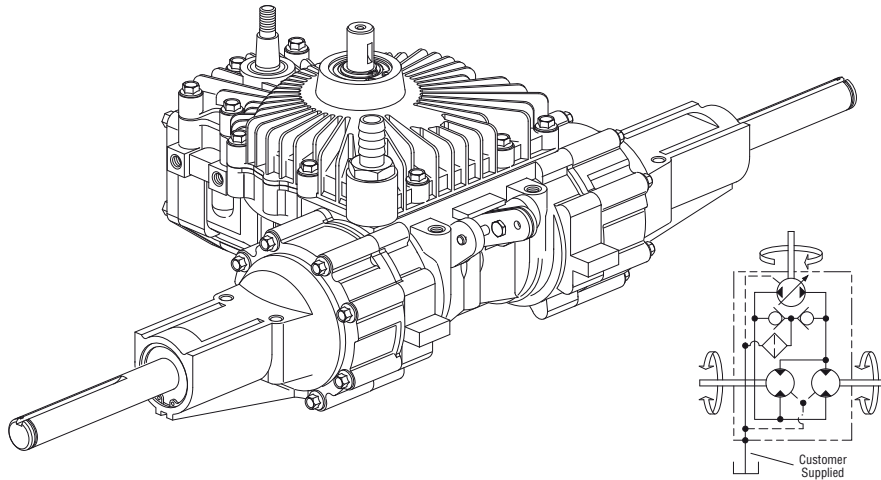




Hydrostatic Transaxles

MODEL 31



TECHNICAL SPECIFICATION

Operating specification

Maximum continuous input power (@ 3600 rpm)	Kw [hp]	3,1 [4.2]
Maximum input speed	rpm	3600
Maximum output speed	rpm	0 ÷ 110
Output torque (16:1 final drive)		
• continuous		294 [217]
• intermittent	Nm [lb ft]	413 [305]
• peak		531 [392]
Maximum weight over axle	kg [lb]	900 [408]
Maximum operating temperature (w/20W-20 Oil)	°C [°F]	82 [180]
Max case pressure		
• continuous		0,5 [7]
• intermittent	bar [PSI]	0,8 [12]

Fluid capacities

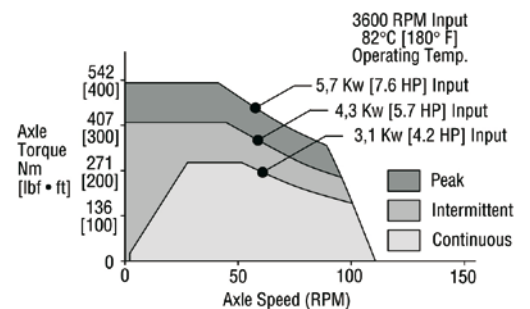
Transaxle Case	mL [oz]	1700 [61]
Oil Filter		Internal

Control specification

Control torque (@ continuous rated axle torque and full stroke)		6,8 [5.0]
Maximum control shaft rotation		
• forward		15° 30'
• reverse		15° 30'

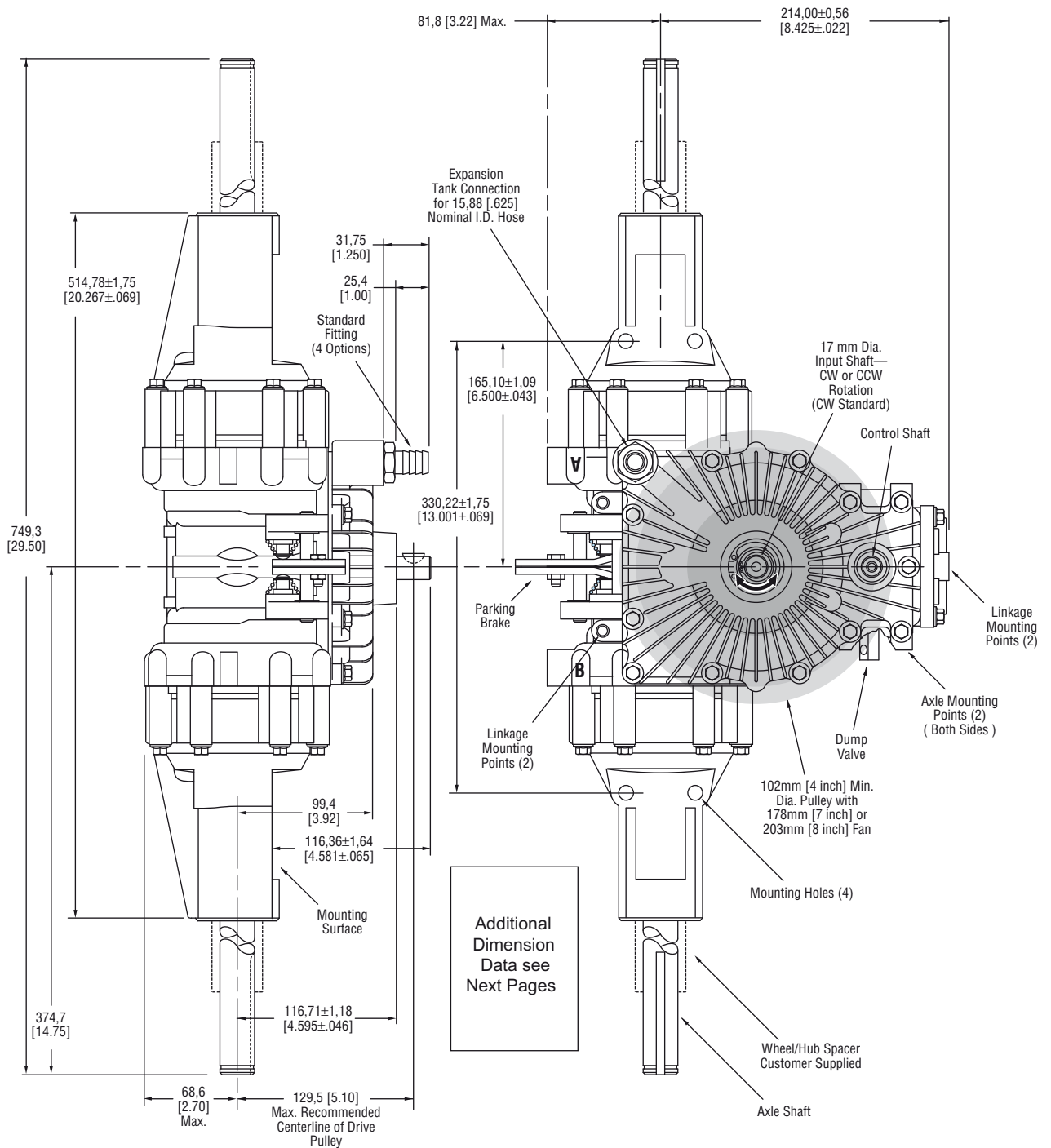
Brakes

Axle braking torque (parking/emergency brake included, @ 68 kg [150 lb] input to brake lever)	Nm [lb ft]	407 [300]
Net weight	kg [lb]	20,9 [46]



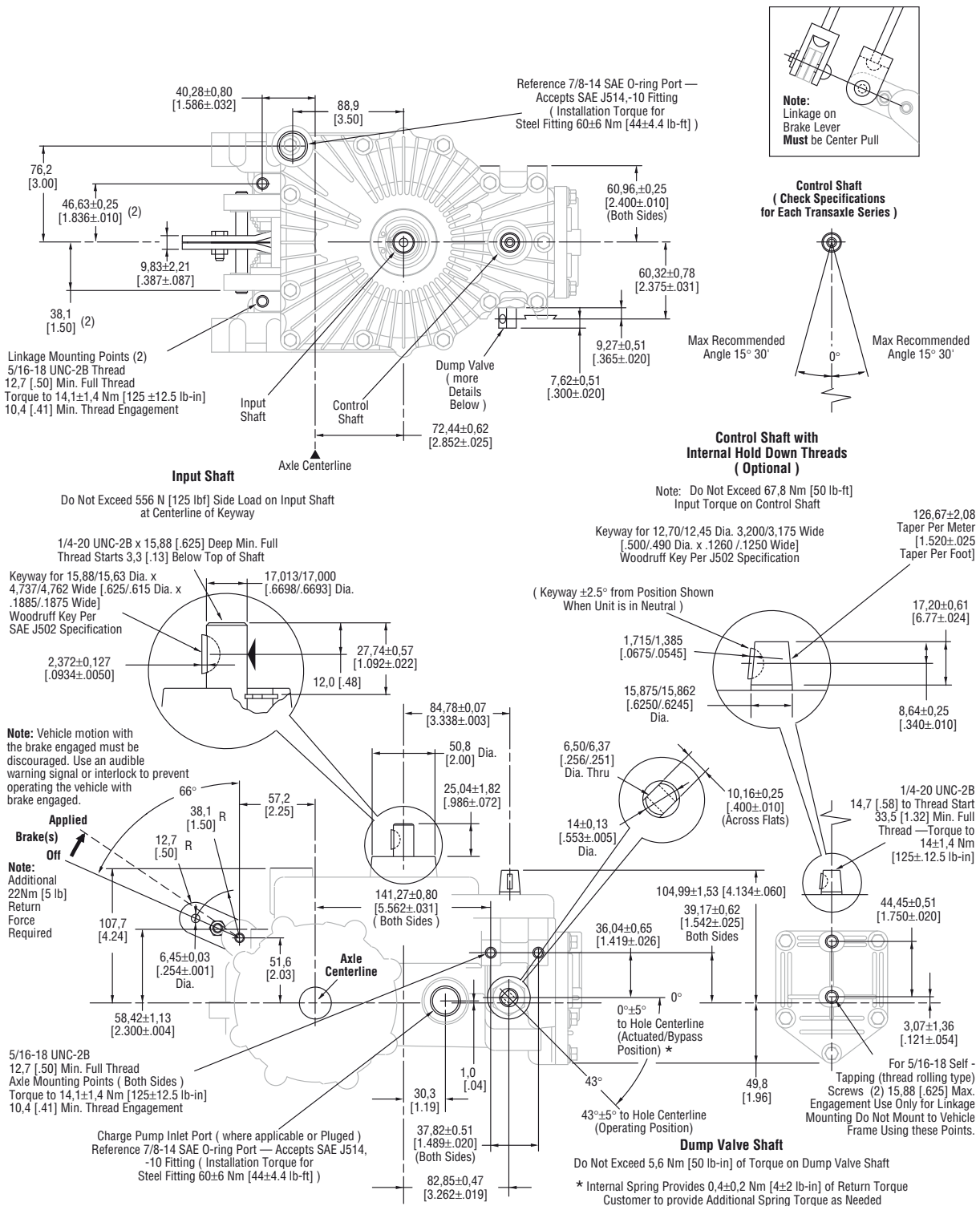
MODEL 31

DRAWINGS



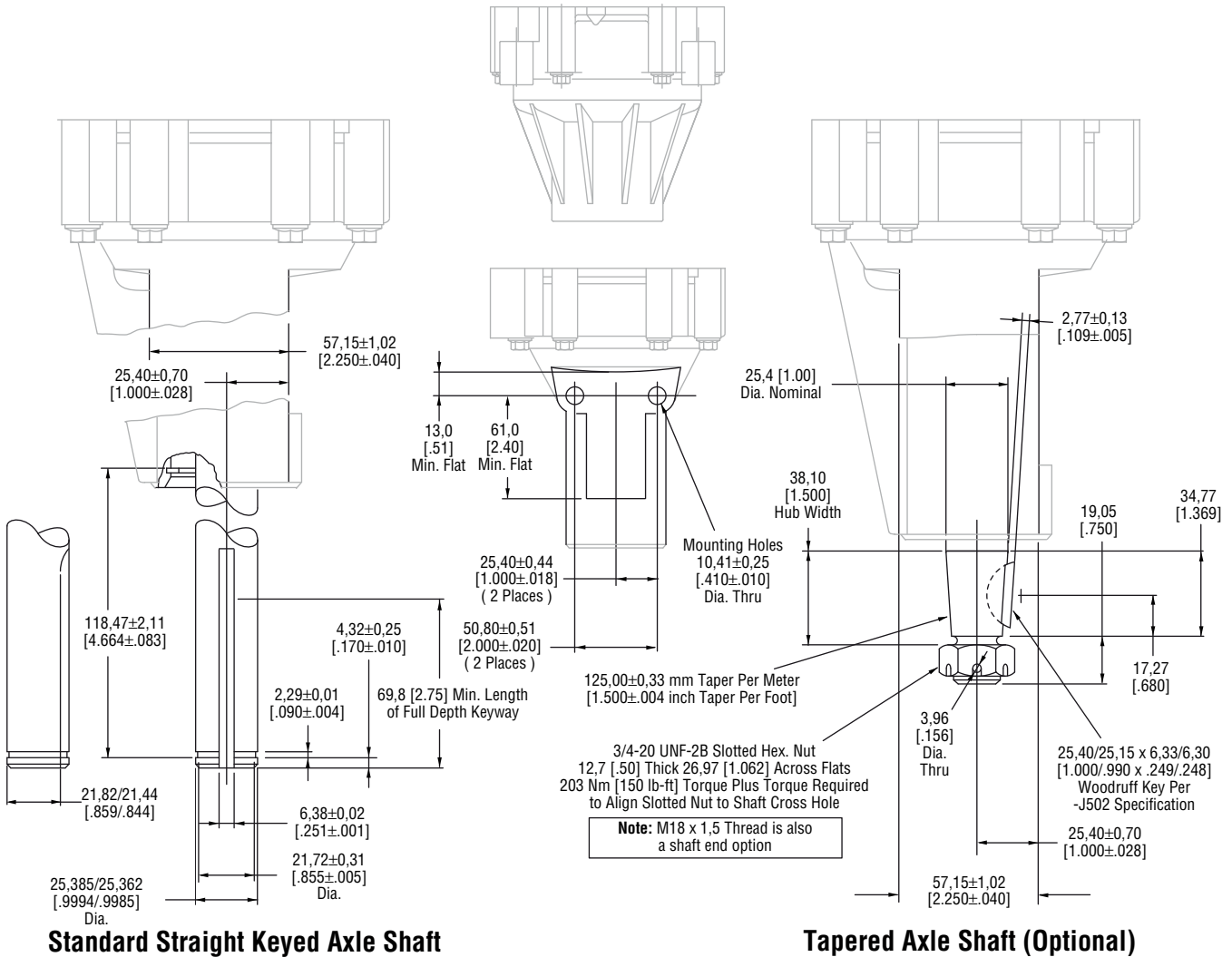
MODEL 31

DRAWINGS



MODEL 31

AXLE SHAFT ENDS



Optional Shaft End with Internal Thread

3/8-16

22.35 [.880]
Min. Full Thread



**Straight Axle Shaft
End Thread**

M10

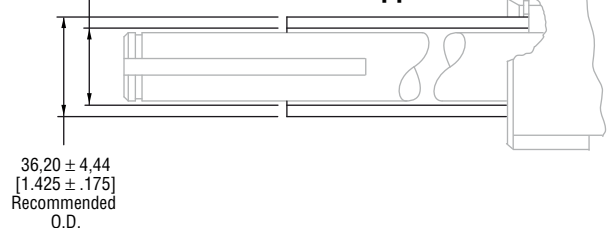
14.99 [.590]
Min. Full Thread



**Straight Axle Shaft
Metric End Thread**

25.83/25.45
[1.017/1.002]
Recommended
I.D.

**Wheel/Hub Spacer
Customer Supplied**



Information contained in this catalogue is accurate as of the publication date and is subject to change without notice. Performance values are typical values. Customers are responsible for selecting products for their applications using normal engineering methods.



SMIT
hydraulics

SMIT Hydraulics

**Via Pietro Giardini, 318
41100 Modena - ITALY**

info@smithydraulics.it
www.smithydraulics.it

PHONE

+39 059 596 77 44
+39 059 596 77 45

FAX

+39 059 596 08 80
+39 059 596 08 88

(Domestic market)

(International market)